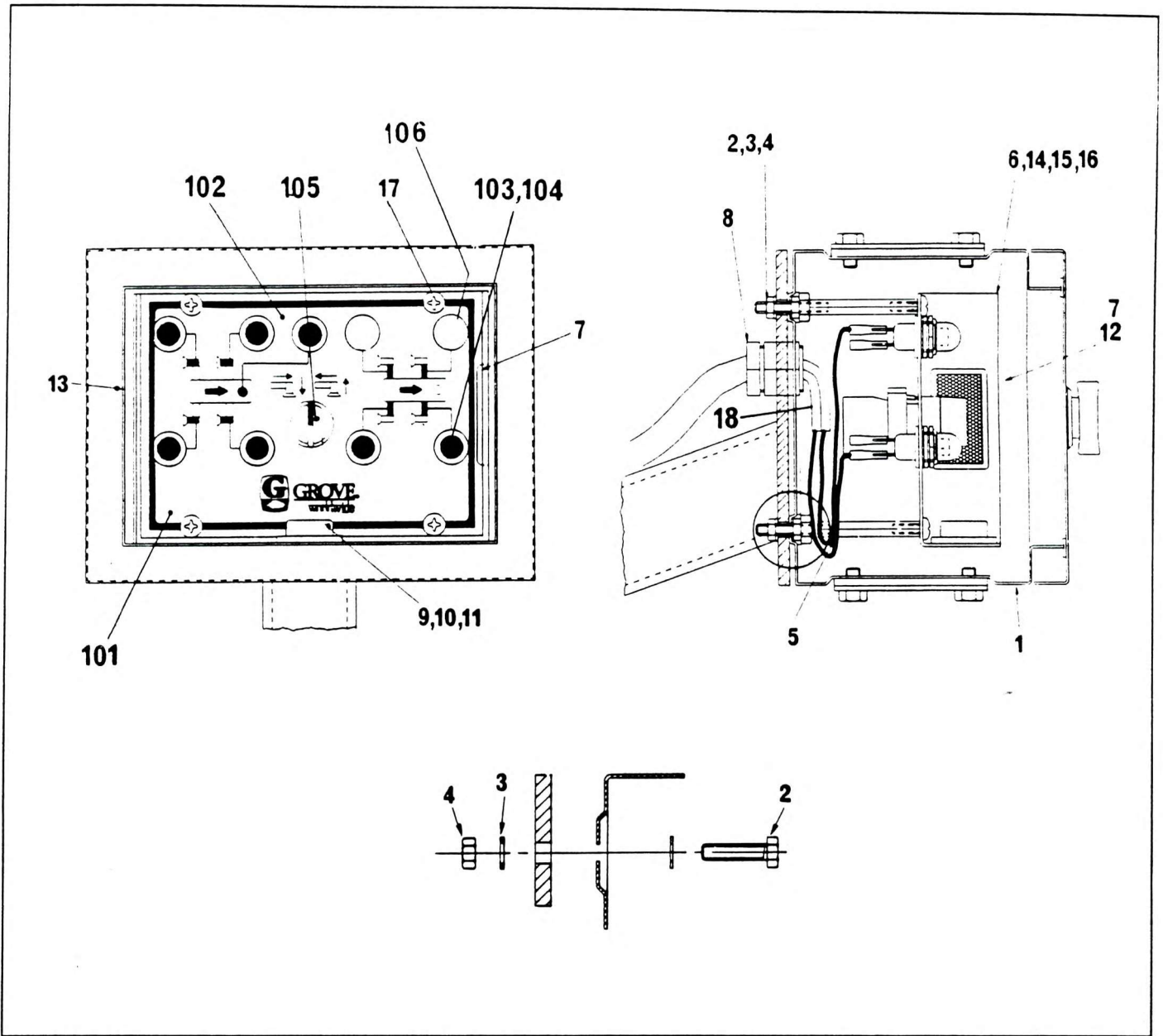


OUTRIGGER CONTROL RH SUB ASSEMBLY



| NO. | PART NO      | QTY. | DESCRIPTION                                       | NO. | PART NO      | QTY. | DESCRIPTION                                 |
|-----|--------------|------|---|-----|--------------|------|---|
| 1   | 6-176-990155 | 1    | Outrigger Control Box Rework                      | 17  | 7-786-990063 | 4    | Screw M6 Black                              |
| 2   | 7-126-151253 | 4    | Screw Hex head M6 x 25Lg                          | 18  | 8-594-100265 | 1    | 3/4" ID PVC Flexible Shrink Tubing X 1 Foot |
| 3   | 7-951-150014 | 4    | Washer Plain M6                                   | 101 | 6-705-990069 | 1    | Plate Outrigger Control Mounting            |
| 4   | 7-661-150003 | 4    | Nut M6  | 102 | 7-376-991112 | 1    | Decal Outrigger Control RH                  |
| 5   | 6-910-991211 | 4    | Spacer Hex  | 103 | 7-872-000602 | 7    | Push Button Switch                          |
| 6   | 6-679-992611 | 1    | Panel Outrigger Control RH Sub Assy Compr 101-106 | 104 | 7-172-000025 | 7    | Boot Push Button Switch                     |
| 7   | 7-581-990194 | 1    | Interior Lamp                                     | 105 | 8870722      | 1    | Switch 3 Pos Spring                         |
| 8   | 7-364-002562 | 1    | Gland 25mm  | 106 | 7-242-000005 | 2    | Plug  |
| 9   | 7-486-001651 | 1    | Level   |     |              |      |   |
| 10  | 7-834-000190 | 1    | Spring  |     |              |      |   |
| 11  | 7-111-040410 | 3    | Mach Sc Rd Hd                                     |     |              |      |   |
| 12  | 7-581-990124 | 1    | Bulb 24-5W  |     |              |      |   |
| 13  | 8-246-912300 | 1    | Rubber Channel x 2 Feet                           |     |              |      |   |
| 14  | 8735024      | 6    | Female Terminal (Red)                             |     |              |      |   |
| 15  | 8735025      | 16   | Female Terminal (Blue)                            |     |              |      |   |
| 16  | 6-850-990163 | 1    | Check Strap                                       |     |              |      |   |